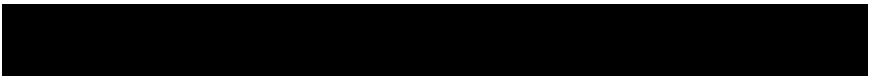


Service Parts Lists

In this chapter...

- Serial Number Format
- Using the Parts List
- Hardware Kits
- Recommended Service Tools

Chapter 9



Serial Number Format

Changes to Xerox products are made to accommodate improved components as they become available. It is important when ordering parts to include the following information:

- Component's part number
- Product type or model number
- Serial number of the printer

Serial numbering. Particular fields in the serial number indicate the modification level of the printer, the date of its manufacture and the sequence number of the printer produced on that day.

The serial number is coded as follows:

- The text “S/N” followed by the serial number in the barcode.
- The barcode **does not** include a field identifier.
- The nine digit serial number is based on the following format:
PPPRSSSS

PPP = Three digit alphanumeric product code

Product	Model	Voltage	Product Code
7750	B, DN, GX, DXF	110V	RRW
7750V	B, DN, GX, DXF	220V	RTG

R - Single digit numeric revision digit. To be rolled when a major product change occurs. Initiated with a change request.

SSSSS - Five digit numeric serial number.

Serial Number Example:

RRW453072:

RRW = Product code for the 110V Printer

4 = Revision level

53072 = Serial number

Using the Parts List

- 1. No.:** The callout number from the exploded part diagram.
- 2. Part Number:** The material part number used to order specific parts.
- 3. Qty:** This number represents the parts per printer, not the number of parts supplied in the actual part order.
- 4. Name/Description:** Details the name of the part to be ordered and the number of parts supplied per order.
- 5.** Parts identified throughout this manual are referenced **PL#.#.#**; For example, PL3.1.10 means the part is item 10 of Parts List 3.1.
- 6.** A black triangle preceding a number followed by a parenthetical statement in an illustrated parts list means the item is a parent assembly, made up of the individual parts called out in parentheses.
- 7.** The notation “**with X~Y**” following a part name indicates an assembly that is made up of components X through Y. For example, “1 (with 2~4)” means part 1 consists of part 2, part 3, and part 4.
- 8.** An asterisk (*) following a part name indicates the page contains a note about this part.
- 9.** The notation (NS) next to a part indicates that particular part is not spared, but contained in a kit or major assembly.
- 10.** The notation “**J1<>J2 and P2**” is attached to a wire harness. It indicates that connector Jack 1 is attached to one end of the wire harness and connector J2 is attached to the other end that is plugged into P2.

Note

Only parts showing part numbers are available for support. Parts not showing part numbers are available on the parent assembly.

Legend:

Identifier	Meaning
C	C-ring
E	E-ring
KL	K-clip
S	Screw
p/o	Part of...
N/S	Not Spared

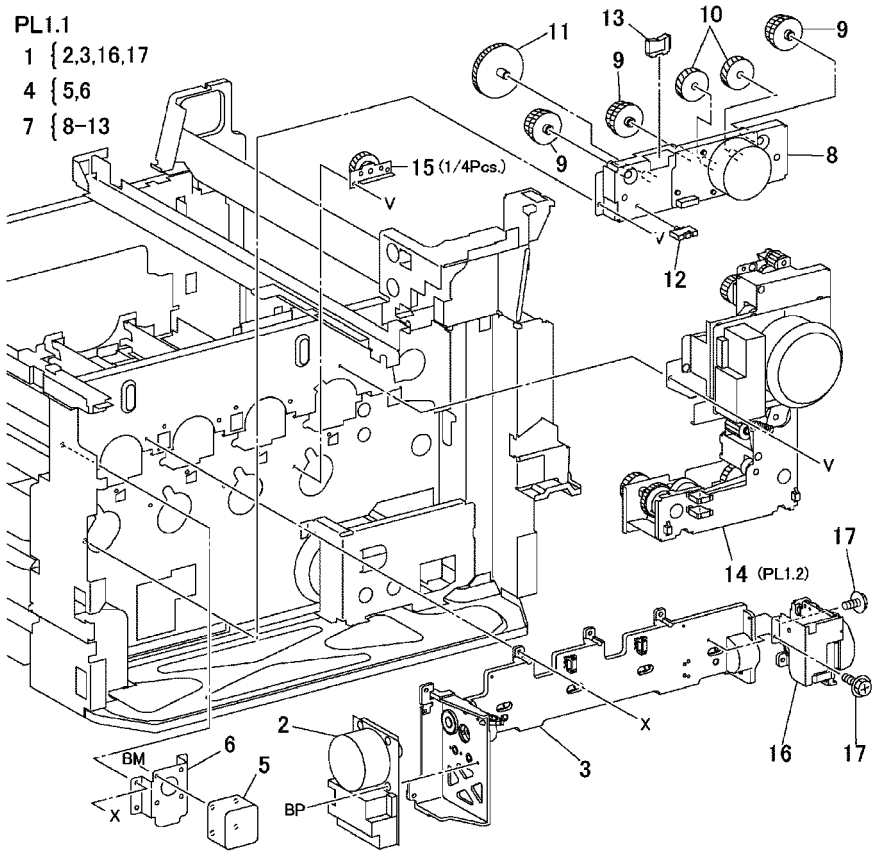
Parts List 1.1 Drive Unit

PL1.1

1 { 2,3,16,17

4 { 5,6

7 { 8-13



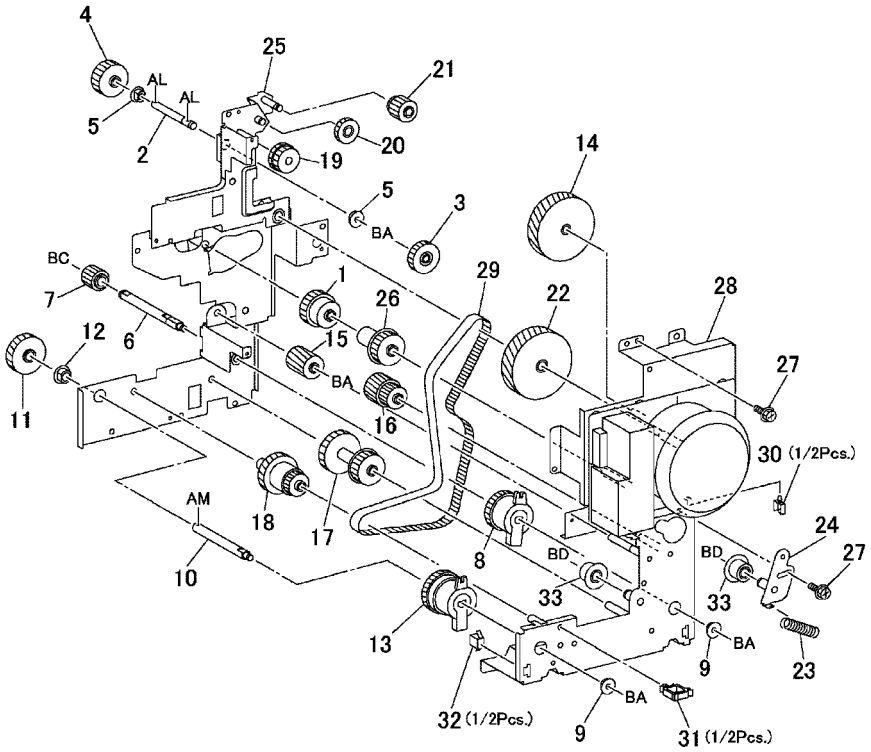
s4500-345

Drive Unit PL 1.1

No.	Part number	Qty	Part Description and (part name)
1	116-1752-00		Drum Drive Assembly (DRIVE ASSY DRUM)
4	116-1753-00		Accumulator Belt Drive (DRIVE ASSY IBT)
7	116-1754-00		Developer Drive Assembly (DRIVE ASSY-DEVE)
14	116-1755-00		Main Drive Assembly (DRIVE ASSY-MAIN)
15	116-1756-00		Developer Gear Assembly (GEAR ASSY-DEVE)

Part List 1.2 Main Drive Motor Assembly

PL1.2



s7750-346

Main Drive Motor Assembly PL 1.2

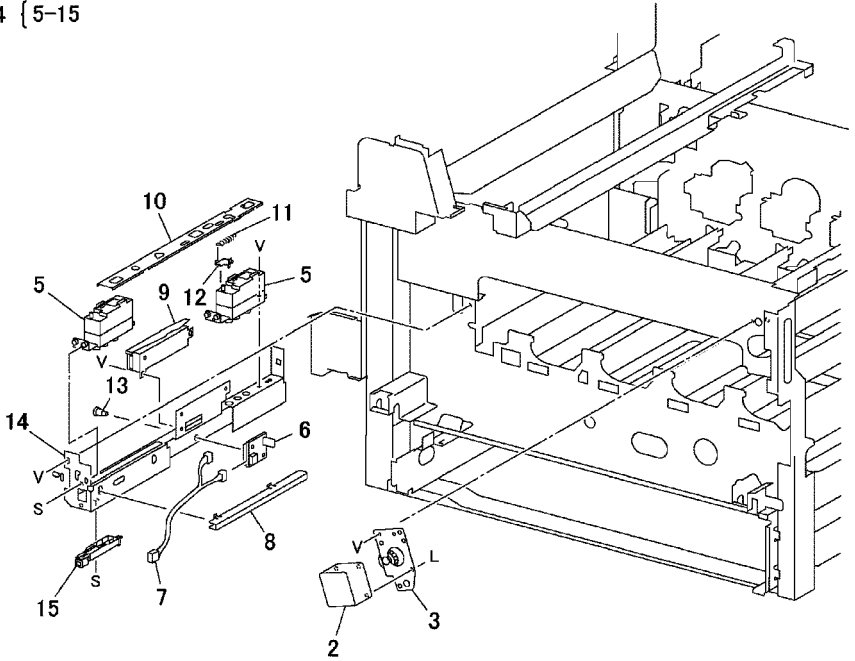
No.	Part number	Qty	Part Description and (part name)
13	116-1539-00		Developer Clutch Assembly (CLUTCH ASSY DEVE)

Part List 1.3 Steering Motor and MOB

PL1.3

1 { 2,3

4 { 5-15



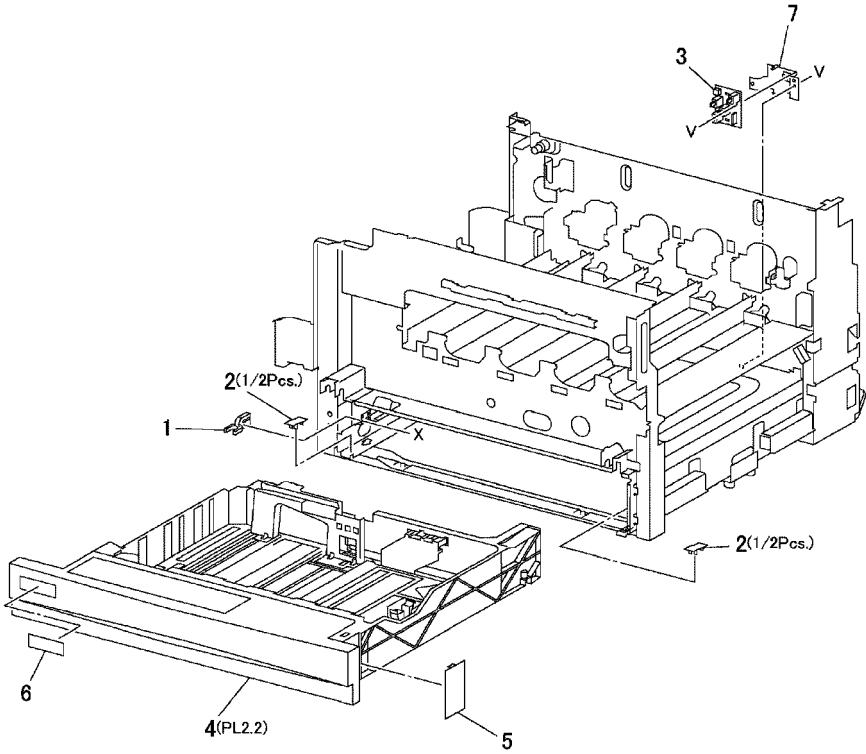
s7750-347

Steering Motor and Mark-On-Belt PL 1.3

No	Part number	Qty	Part Description and (part name)
1	116-1104-00		Belt Steering Drive Assembly (DRIVE ASSY STEERING)
4	116-1124-00		Mark On Belt Sensor Assembly (SENSOR ASSY-MOB)

Part List 2.1 Tray 2

PL2.1



s7750-348

Tray 2 PL 2.1

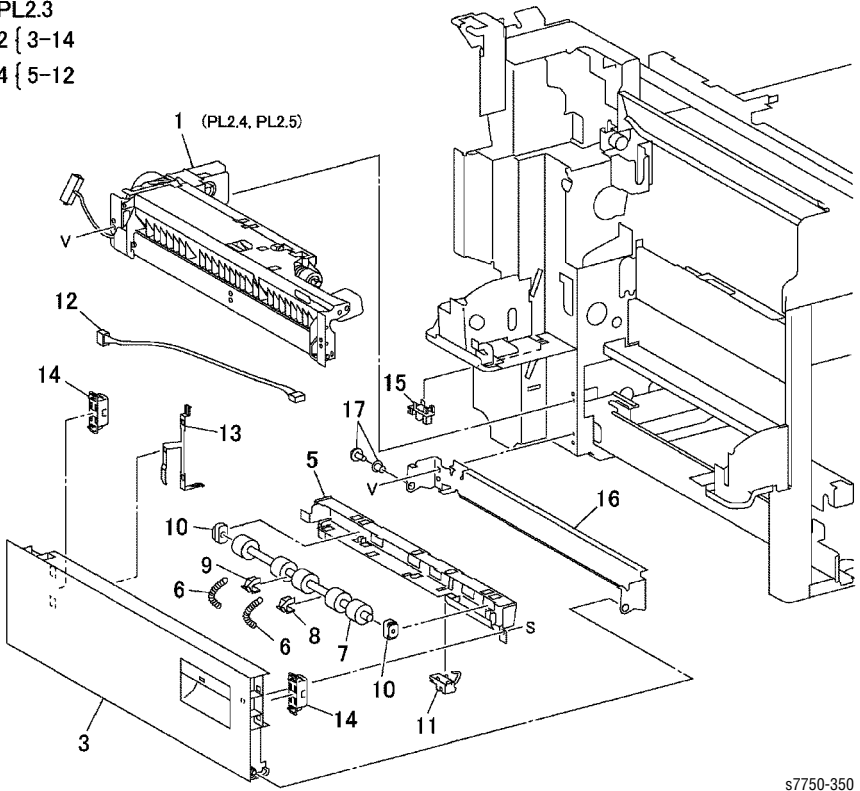
No	Part number	Qty	Part Description and (part name)
1	116-1093-00		Tray Stopper (STOPPER TRAY)
2			Spacer N/S
3	116-1126-00		Paper Supply Switch Assembly (SWITCH ASSY-P.S)
4	119-6504-00		Tray 2 (Universal Tray)

Part List 2.3 Tray Feeder and Left Lower Cover Assy

PL2.3

2 { 3-14

4 { 5-12



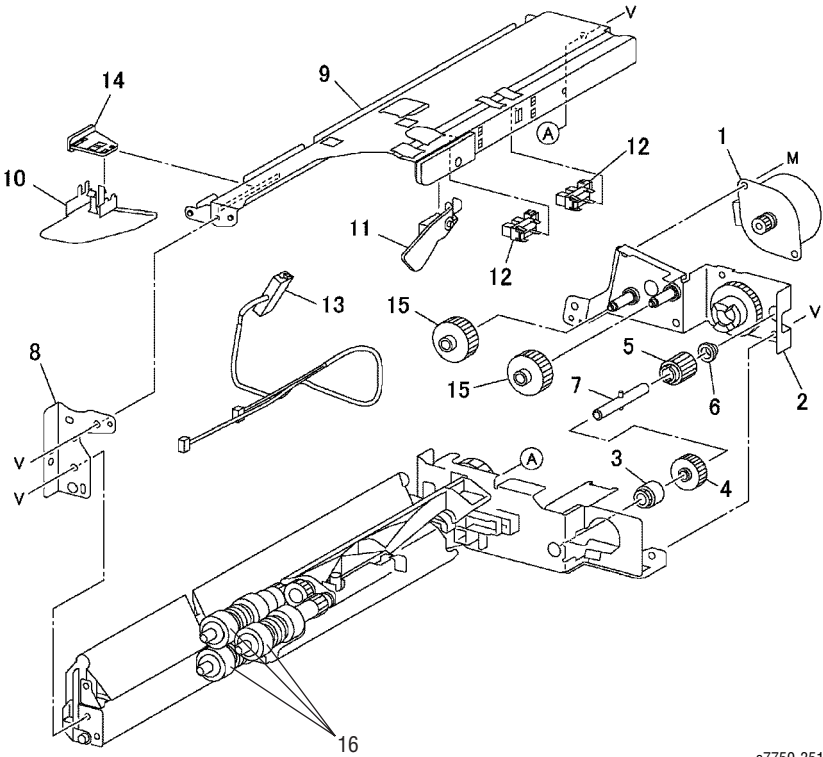
s7750-350

Tray 2 Feeder and Left Lower Cover Assembly PL 2.3

No	Part number	Qty	Part Description and (part name)
1	116-1160-00		Tray 2 Feeder Assembly (FEEDER ASSY)
2	116-1181-00		Lower LH Cover Assembly (COVER ASSY LH LOW)
16	116-1757-00		Lower Chute

Part List 2.4 Tray 2 Feeder

PL2.4



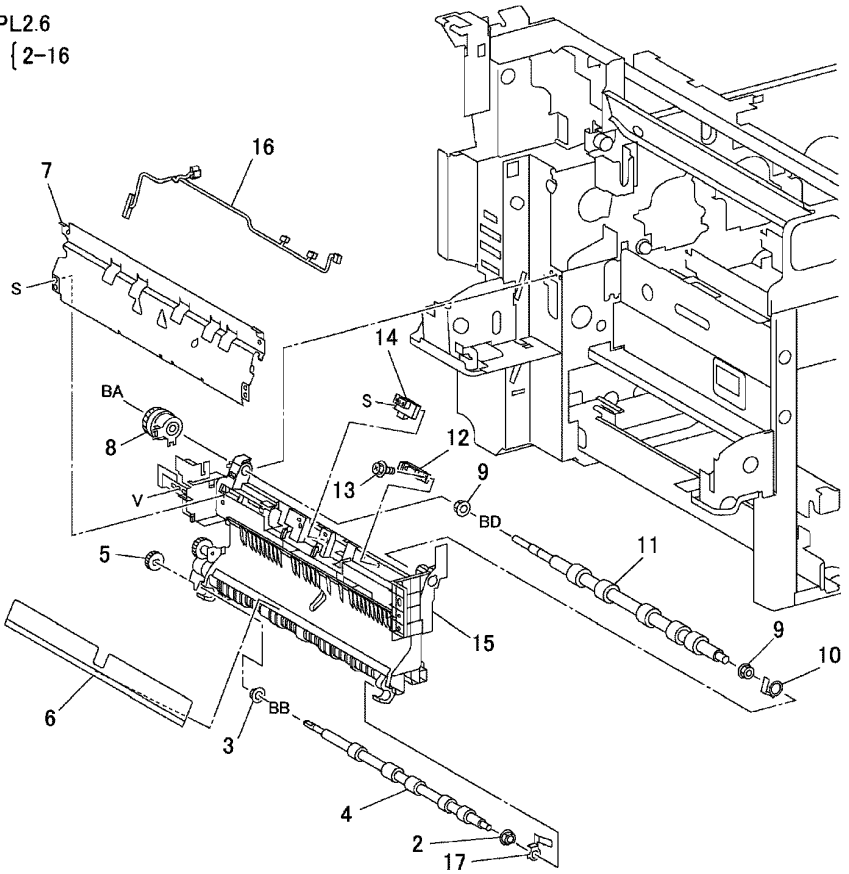
s7750-351

Tray 2 Feeder PL 2.4

No	Part number	Qty	Part Description and (part name)
1	116-1109-00		Motor Assembly (MOTOR ASSY)
16	116-1211-00		Roller Kit

Part List 2.6 Registration Transport

PL2.6
1 { 2-16



s7750-353

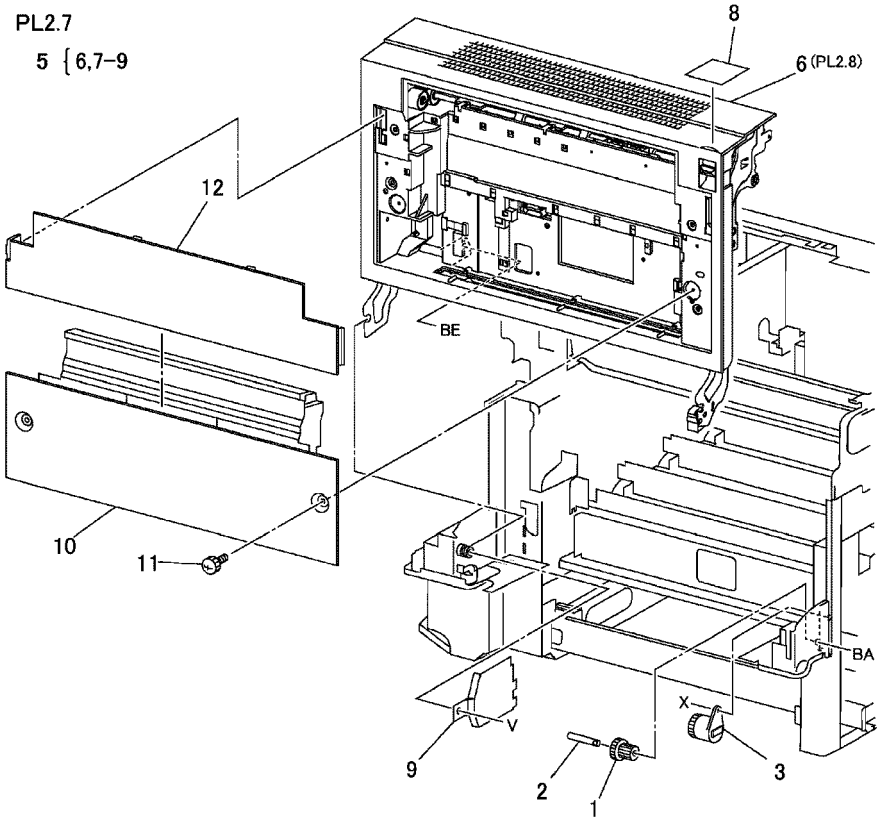
Registration Transport PL 2.6

No	Part number	Qty	Part Description and (part name)
1	116-1758-00		Registration Transport Assembly (TRNSPORT ASSY-REGI)

Part List 2.7 Left Cover Unit

PL2.7

5 { 6,7-9



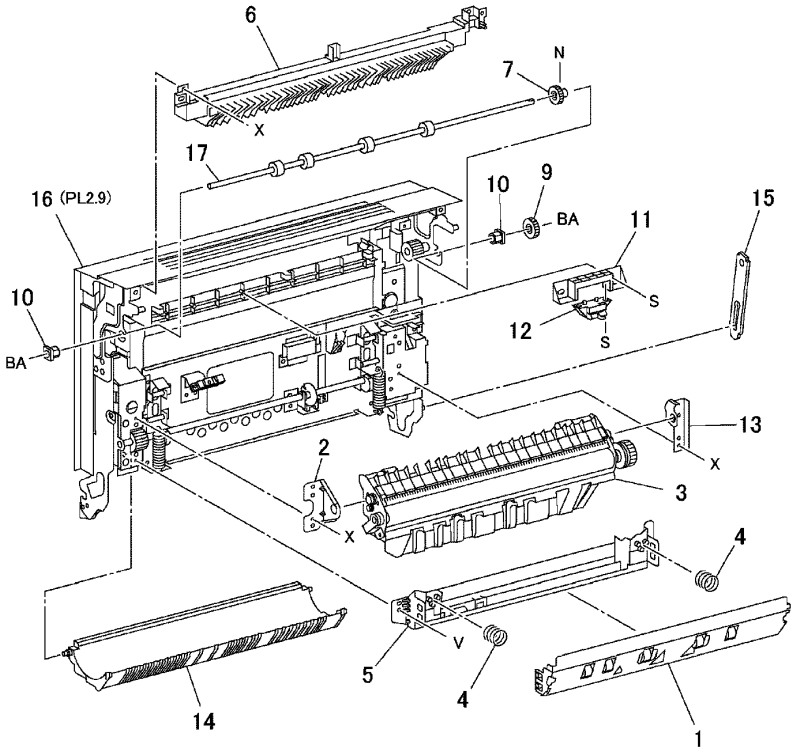
s7750-354

Left Cover Unit PL 2.7

No	Part number	Qty	Part Description and (part name)
1	116-1540-00		11/23T Tooth Damper Gear (GEAR DAMPER 11T/23T)
3	116-1541-00		Left Hand Damper Gear (White) (DAMPER-LH)
5	116-1182-00		Left Hand Cover Assembly (COVER ASSY-L/H OPB)

Part List 2.8 Left Cover Assembly: 1 of 2

PL2.8



s7750-355

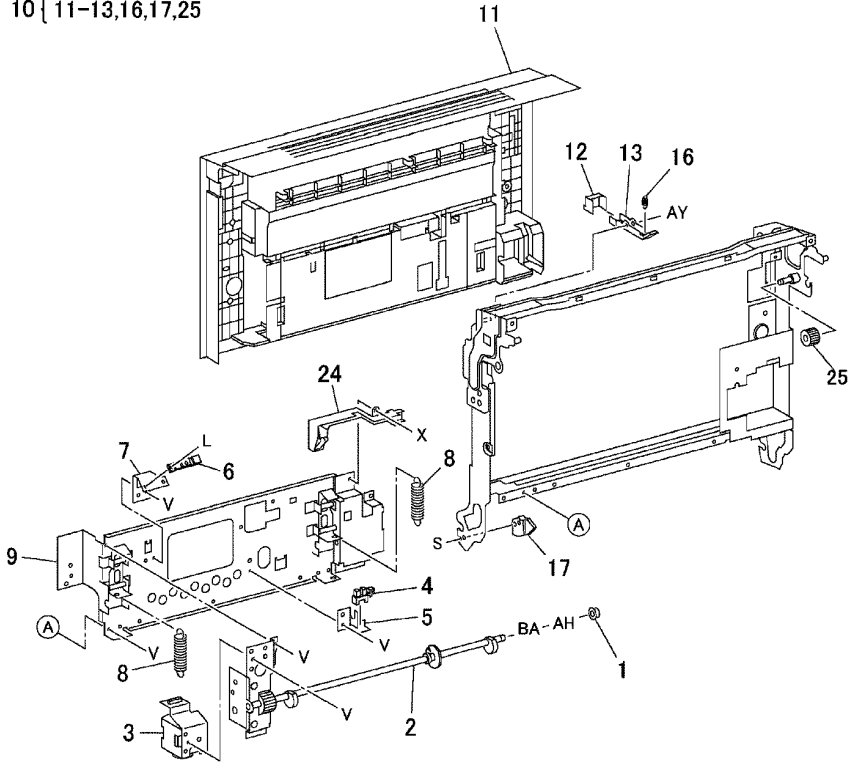
Left Cover Assembly: 1 of 2 PL 2.8

No	Part number	Qty	Part Description and (part name)
3	108R00579		2nd BTR/Transfer Roller Assembly (2NDBTR ASSEMBLY)
12	116-1543-00		Exit Switch Assembly (SWITCH ASSY-EXIT)
14	116-1098-00		Duplex Chute Assembly (CHUTE ASSY-DUP)
16	116-1182-00		Left Cover Assembly
17	116-1759-00		Exit Roller Assembly

Part List 2.9 Left Cover Assembly: 2 of 2

PL2.9

10 { 11-13,16,17,25



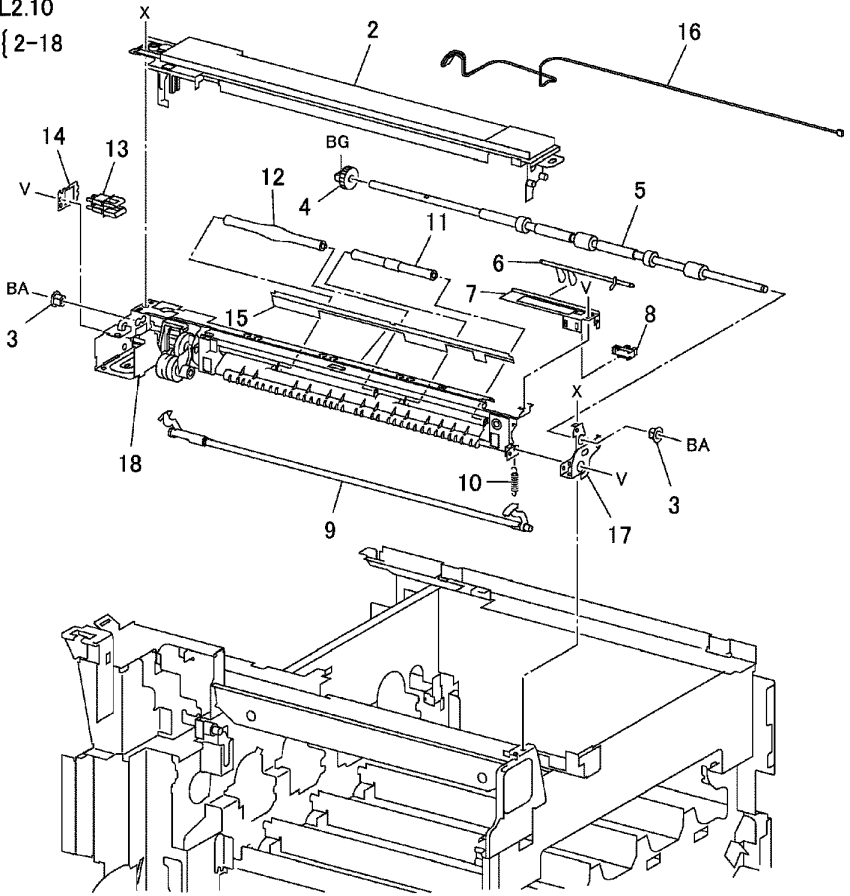
s7750-356

Left Cover Assembly: 2 of 2 PL 2.9

No	Part number	Qty	Part Description and (part name)
3	116-1760-00		Second Motor Assembly (MOTOR ASSY-2ND)
6	116-1544-00		Paper on Belt (POB) Sensor
17	114-1542-00		Damper Gear (45Tooth) (GEAR ASSY-DAMPER 45T)

Part List 2.10 Exit Transport Assembly

PL2.10
1 { 2-18



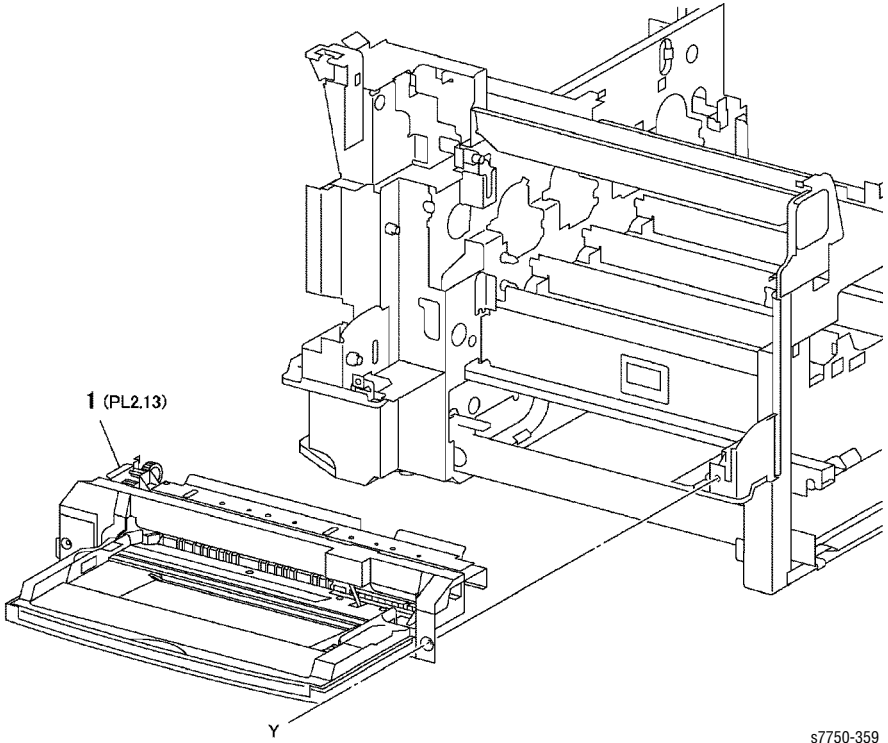
s7750-357

Exit Transport Assembly PL 2.10

No	Part number	Qty	Part Description and (part name)
1	116-1762-00		Exit Transport
2	116-1196-00		Exit Transport Cover

Part List 2.12 Tray 1: 1 of 2

PL2.12



s7750-359

Tray 1: 1 of 2 PL 2.12

No	Part number	Qty	Part Description and (part name)
1	116-1763-00		Tray 1/MPT (FEEDER ASSY-MSI)

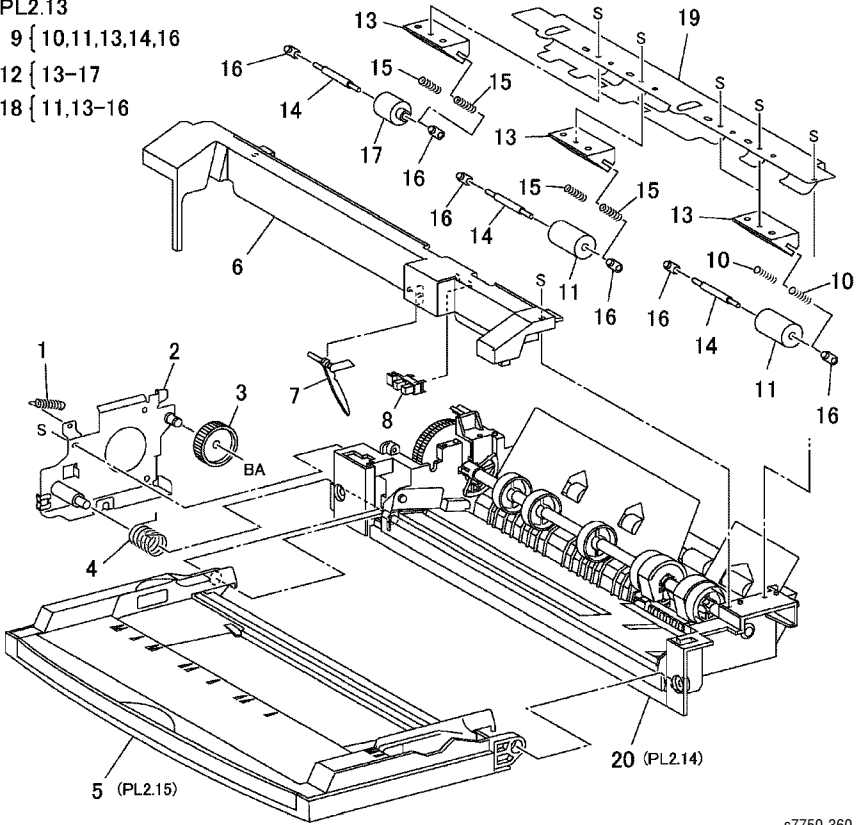
Part List 2.13 Tray 1: 2 of 2

PL2.13

9 { 10,11,13,14,16

12 { 13-17

18 { 11,13-16



s7750-360

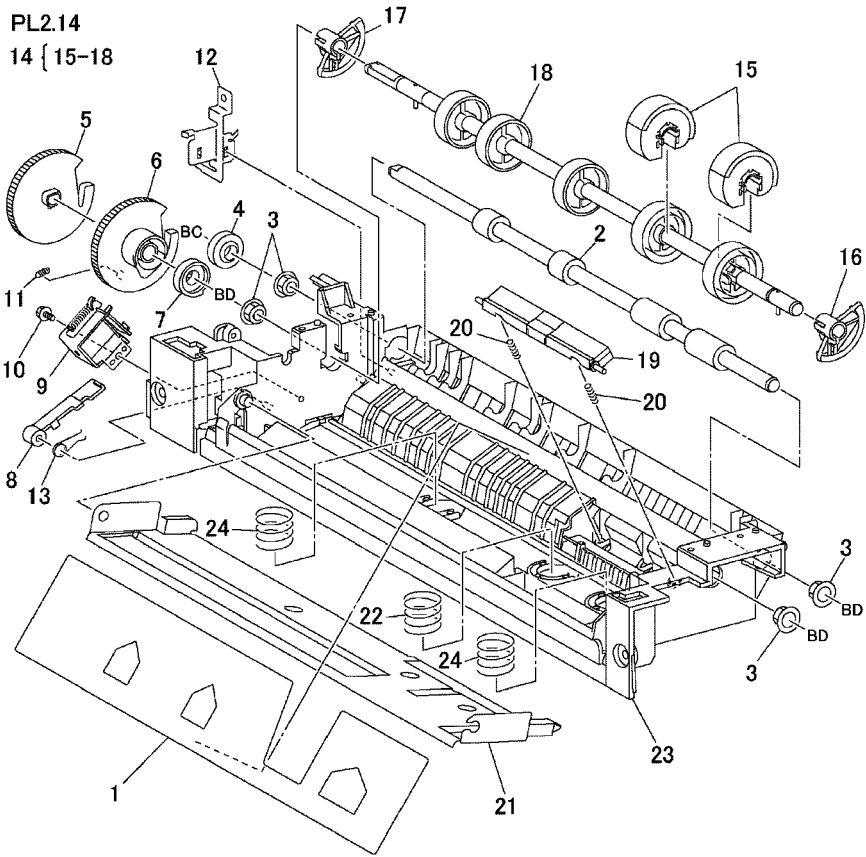
Tray 1 PL 2.13

No	Part number	Qty	Part Description and (part name)
5	116-1763-00		Tray 1/MPT Extension

Part List 2.14 Tray 1 Feed Assembly

PL2.14

14 { 15-18



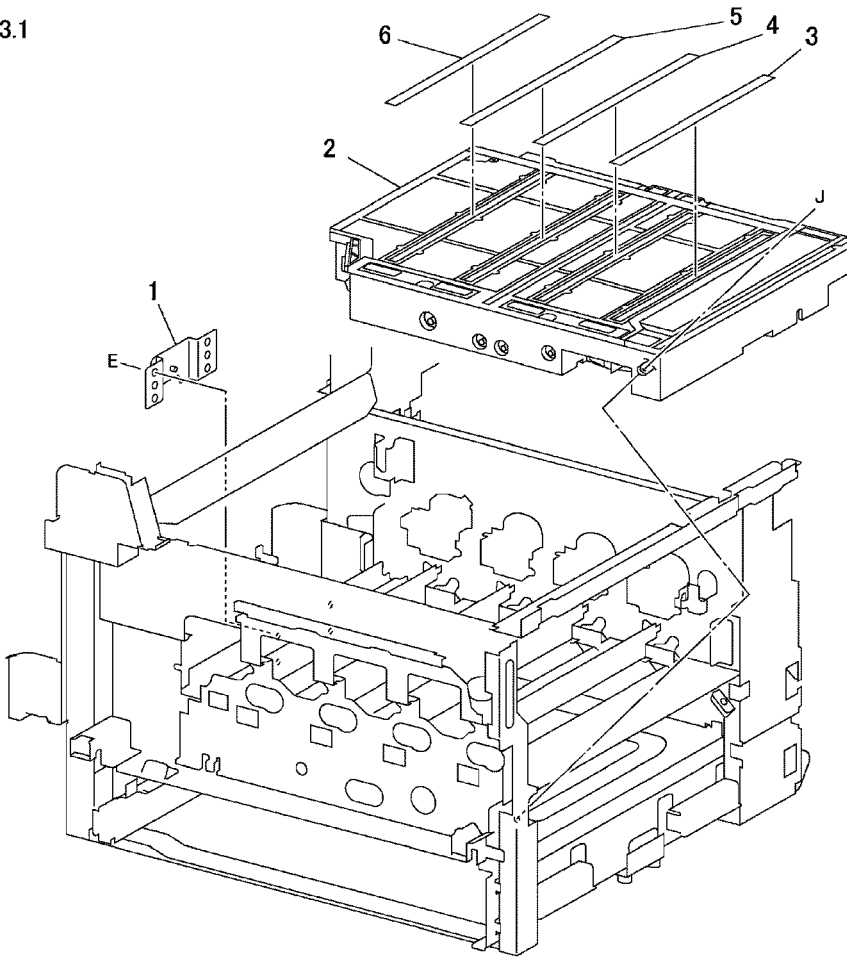
s7750-361

Tray 1 Feed Assembly PL 2.14

No	Part number	Qty	Part Description and (part name)
14	116-1765-00		Feed Roller Assembly (ROLLER ASSY-FEED)
15	116-1820-00	2	Feed Roller Kit
19	116-1166-00		Retard Pad (PAD ASSY-RETARD)
22	116-1766-00		Spring Middle
24	116-1767-00		Spring Front and Rear

Part List 3.1 Laser (ROS) Assembly

PL3.1



s7750-3f

Laser ROS Assembly PL 3.1

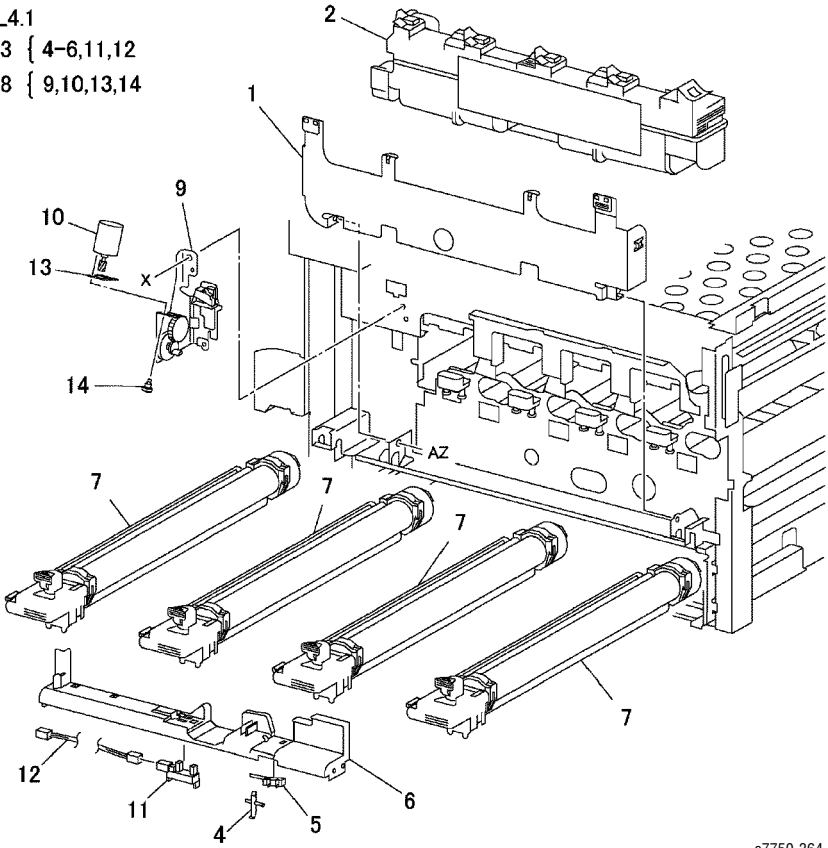
No	Part number	Qty	Part Description and (part name)
2	116-1768-00		Laser Assembly (ROS ASSEMBLY)

Part List 4.1 Xerographic Module: 1 of 2

PL4.1

3 { 4-6,11,12

8 { 9,10,13,14



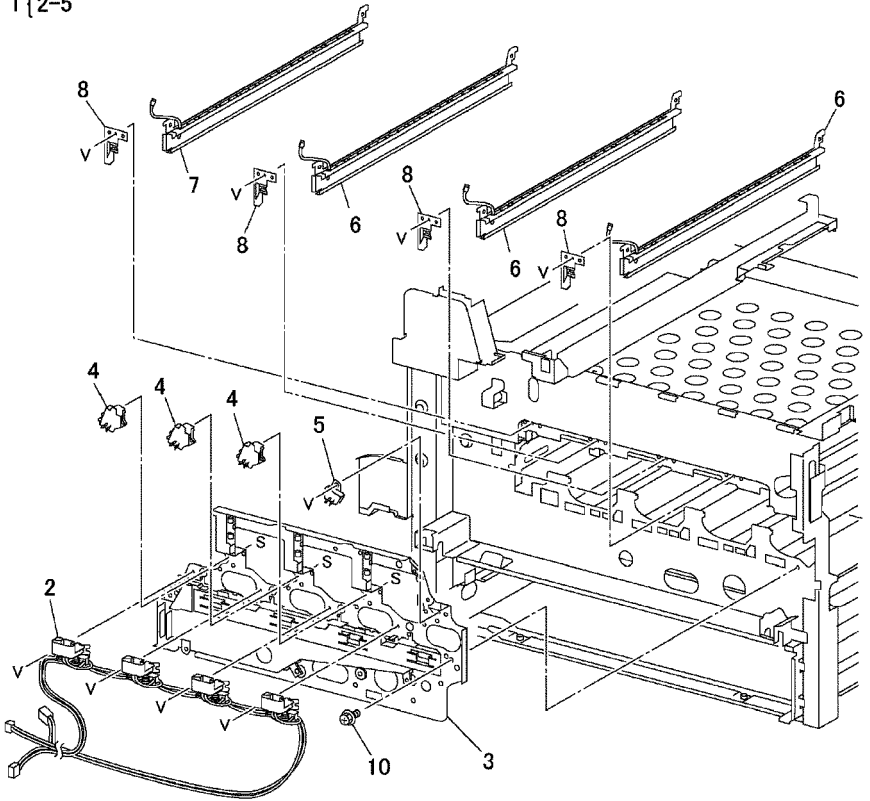
s7750-364

Xerographic Module 1 of 2 PL 4.1

No	Part number	Qty	Part Description and (part name)
2	108-R005-75		Waste Toner Cartridge
3	116-1138-00		Sensor Holder Assembly (HOLDER ASSY-SNS)
7	108-R005-81		Imaging Unit
8	116-1101-00		Agitator Motor Assembly (MOTOR ASSY-AGT)

Part List 4.2 Xerographic Module: 2 of 2

PL4.2
1 {2-5



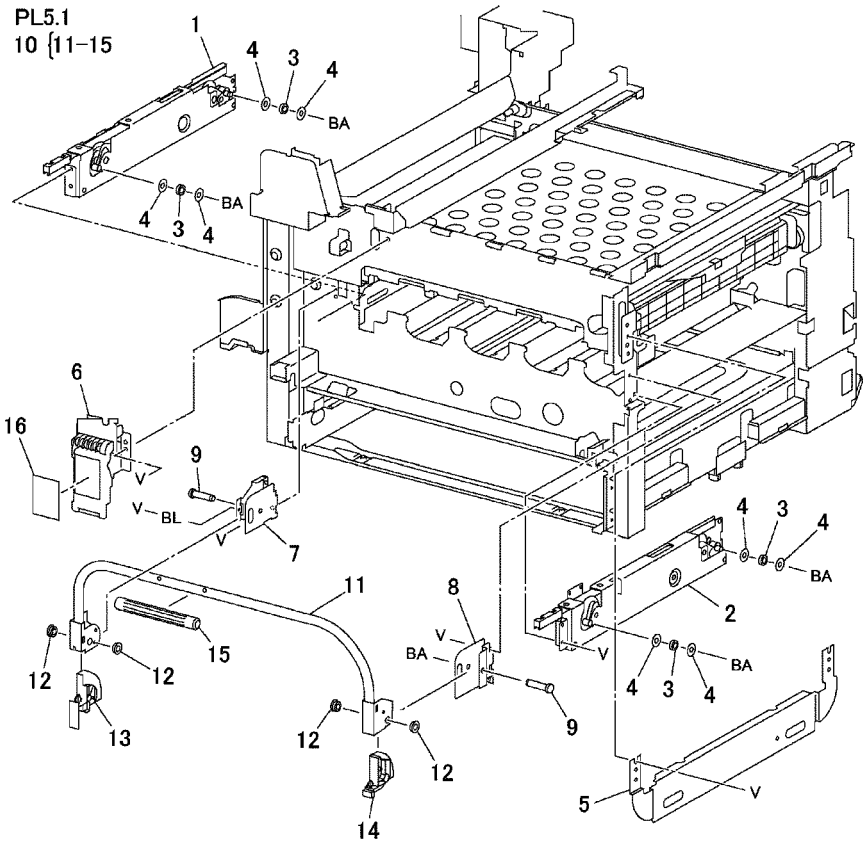
s7750-365

Xerographic Module 2 of 2 PL 4.2

No	Part number	Qty	Part Description and (part name)
1	116-1769-00		Xerographic Plate Assembly (PLATE ASSY-XERO OPB)
6	116-1770-00		Image Unit Mounting Rail Y, M, C (ERASE ASST YMC)
7	116-1771-00		Image Unit Mounting Rail K (ERASE ASST)

Part List 5.1 Lift Unit

PL5.1
10 (11-15)



s7750-366

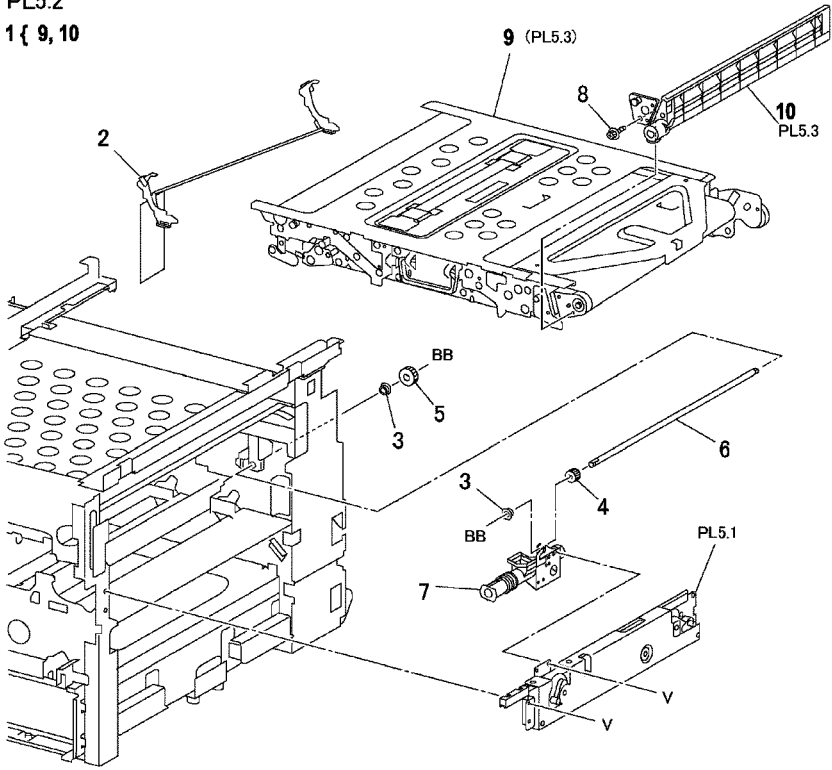
Lift Unit PL 5.1

No	Part number	Qty	Part Description and (part name)
1	116-1198-00		LH Frame Lift Assembly (FRAME ASSY-LIFT LH)
2	116-1199-00		RH Frame Lift Assembly (FRAME ASSY-LIFT RH)
3	116-1772-00		Bearing
4	116-1773-00		Washer
5			Plate N/S
6	116-1202-00		Lift Arm Latch Assembly (LATCH ASSY-AST)
7	116-1200-00		LH Handle Hinge (HINGE-HANDLE LH)
8	116-1201-00		RH Handle Hinge (HINGE HANDLE RH)
9	116-1203-00		Pivot Pin (SHAFT MAIN)
10	116-1204-00		Main Lift Handle Assembly (LEVER ASSY-MAIN)

Part List 5.2 Accumulator Belt Assembly

PL5.2

1 { 9, 10



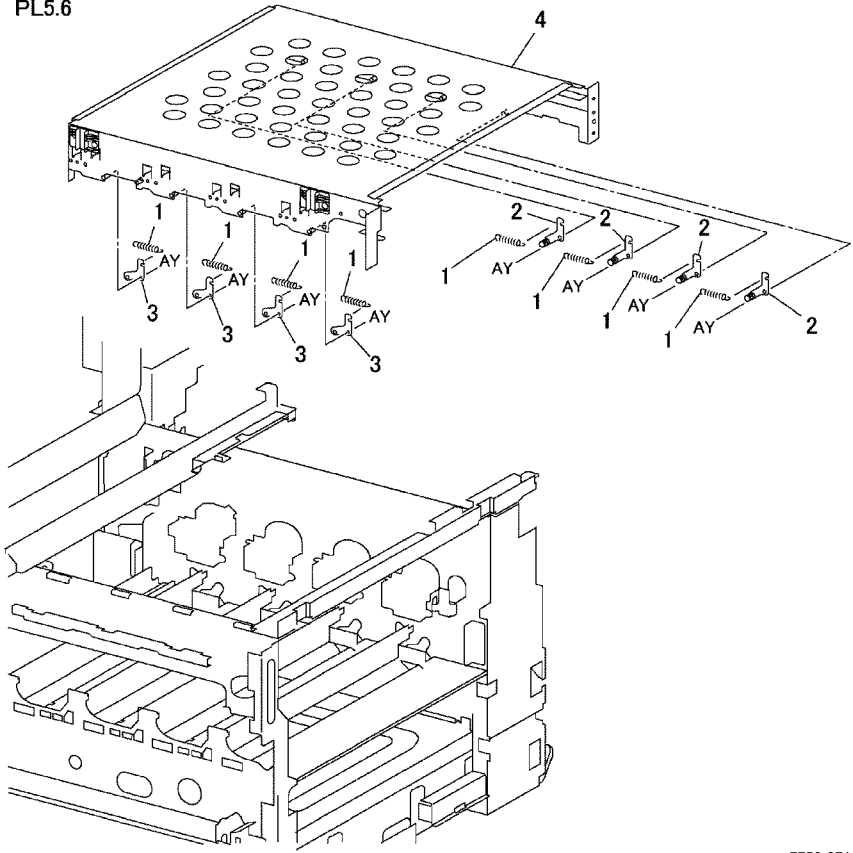
s7750-367

Accumulator Belt Assembly PL 5.2

No	Part number	Qty	Part Description and (part name)
1	116-1774-00		Accumulator Belt Assembly (KIT IBT-UNIT OPB)
7	116-1180-00		Waste Toner Auger Assembly (AUGER ASSY)
10	108-R005-80		Accumulator Belt Cleaner Assembly

Part List 5.6 Accumulator Belt Elevator

PL5.6



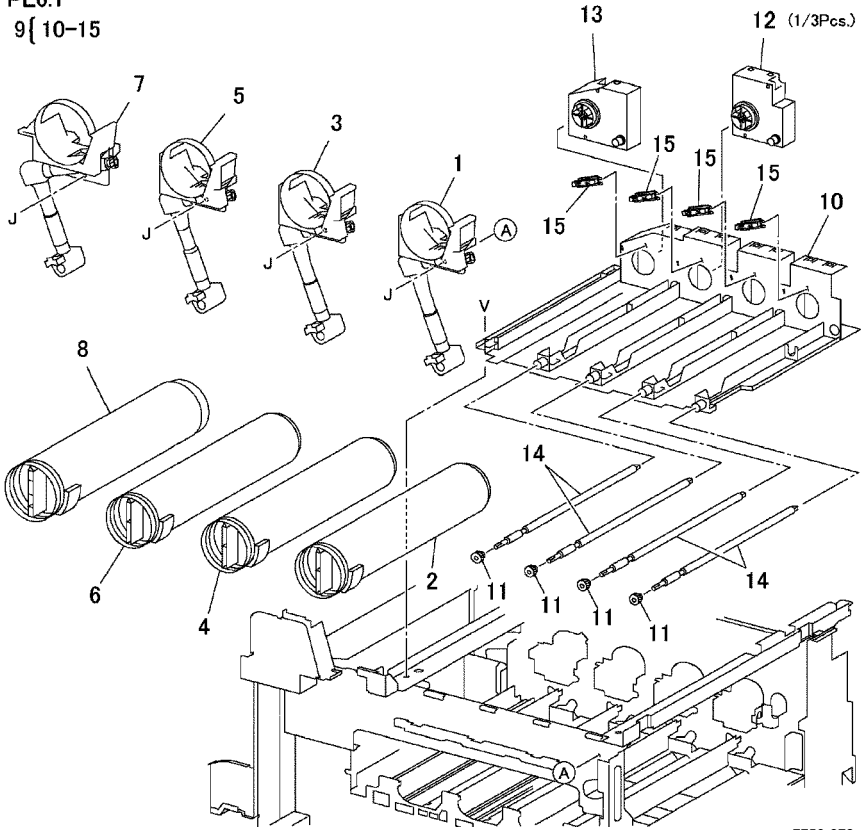
s7750-371

Accumulator Belt Elevator PL 5.6

No	Part number	Qty	Part Description and (part name)
4	116-1777-00		Accumulator Belt Elevator (IBT ELEVATOR FRAME) includes items 1 - 4

Part List 6.1 Developer Unit: 1 of 2

PL6.1
9 { 10-15



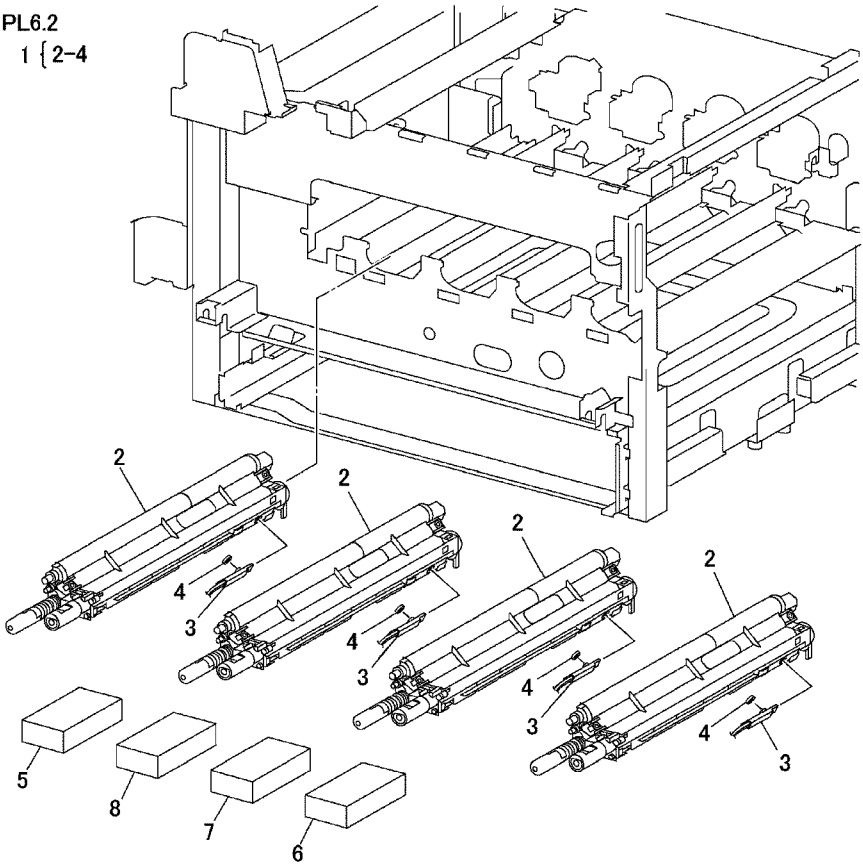
s7750-372

Developer Unit: 1 of 2 PL 6.1

No	Part number	Qty	Part Description and (part name)
1	116-1778-00		Yellow Toner Dispenser (DISP ASSY Y)
2	106-R006-51		Yellow Toner Cartridge
3	116-1779-00		Magenta Toner Dispenser (DISP ASSY M)
4	106-R006-50		Magenta Toner Cartridge
5	116-1780-00		Cyan Toner Dispenser (DISP ASSY C)
6	106-R006-49		Cyan Toner Cartridge
7	116-1781-00		Black Toner Dispenser (DISP ASSY K)
8	106-R006-48		Black Toner Cartridge
9	116-1782-00		Toner Dispenser Base Assembly (BASE ASSY DISP)

Part List 6.2 Developer Unit: 2 of 2

PL6.2
1 { 2-4



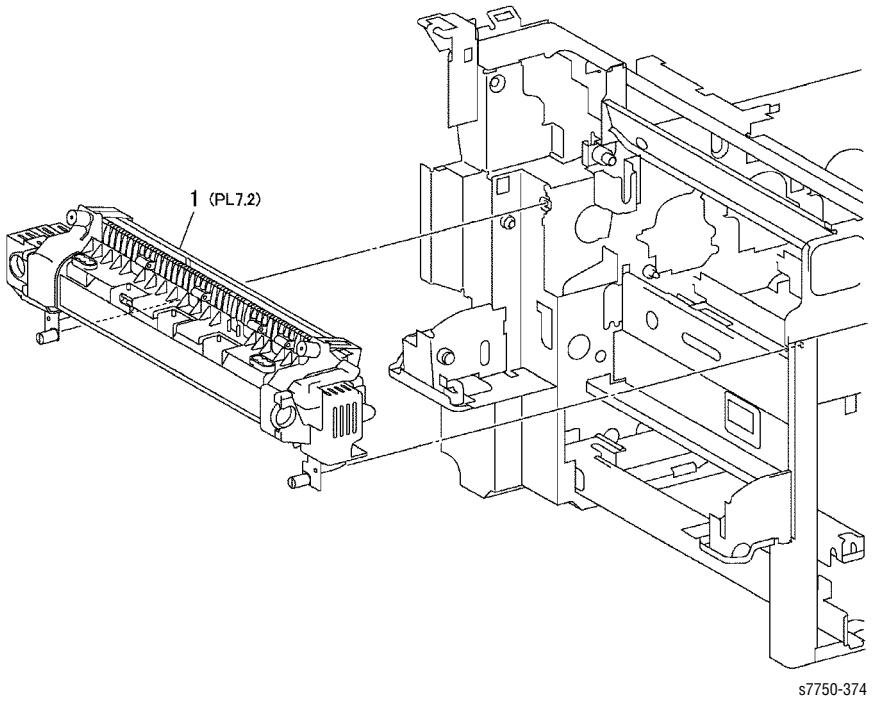
s7750-373

Developer Unit: 2 of 2 PL 6.2

No	Part number	Qty	Part Description and (part name)
1	116-1783-00		Developer Housing (HSG ASSY DEVE)
5	116-1784-00		Black Developer Beads (Developer K)
6	116-1785-00		Yellow Developer Beads (Developer Y)
7	116-1786-00		Magenta Developer Beads (Developer M)
8	116-1787-00		Cyan Developer Beads (Developer C)

Part List 7.1 Fuser Assembly

PL7.1



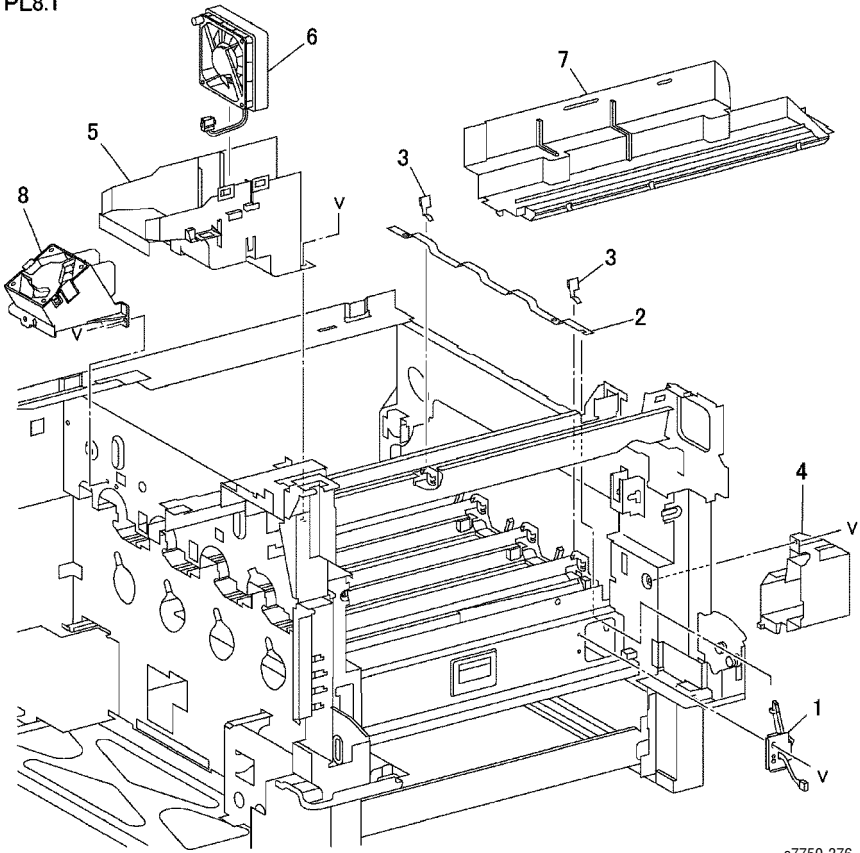
s7750-374

Fuser Assembly PL 7.1

No	Part number	Qty	Part Description and (part name)
1	115-R000-25 115-R000-26		Fuser Assembly (110V) Fuser Assembly (220V)

Part List 8.1 Air System

PL8.1



s7750-376

Air System PL 8.1

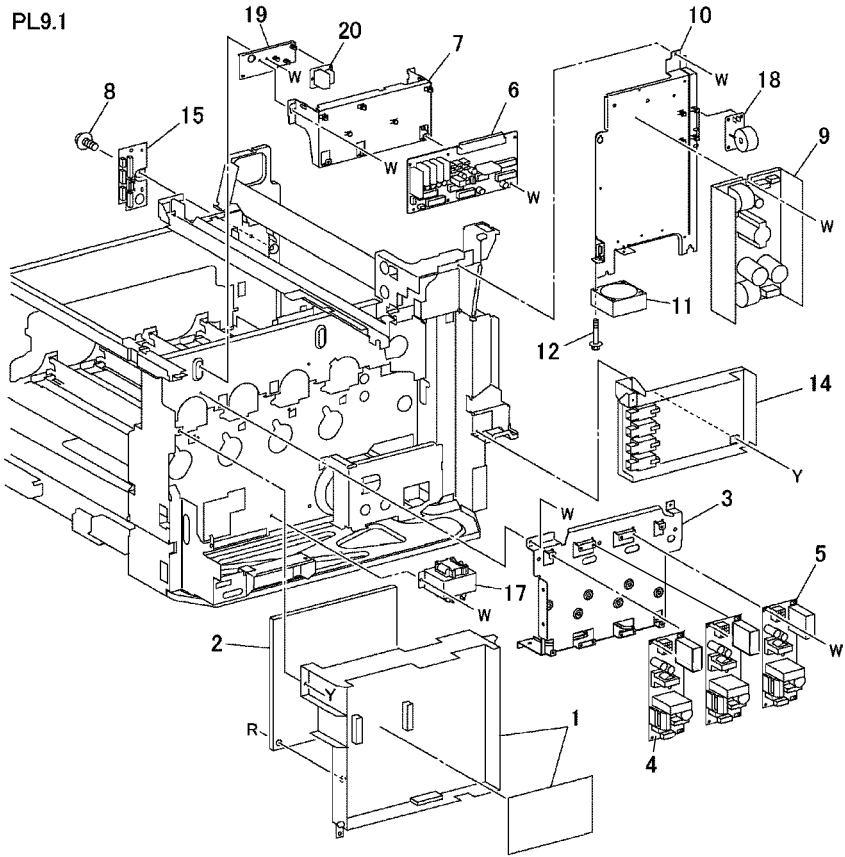
No	Part number	Qty	Part Description and (part name)
1	116-1788-00		Laser Shutter Motor
4	116-1789-00		LH Lower Inner Cover (COVER-INNER, L/H, LOW)
6	116-1176-00		Fuser Fan Assembly (FAN ASSY FUSER)
8	116-1790-00		Laser Fan (FAN ASSY (ROS))
9	116-1831-00		Developer Cooling Fan (Not Shown) Location: Inside Rear Cover
10	116-1833-00		Bottom Fan (Not Shown) Location: Underneath Power Supplies

Air System PL 8.1

No	Part number	Qty	Part Description and (part name)
11	116-1834-00		Bottom Fan Duct (Not Shown) Location: Underneath Power Supplies

Part List 9.1 Electrical Components: 1 of 3

PL9.1



s7750-377

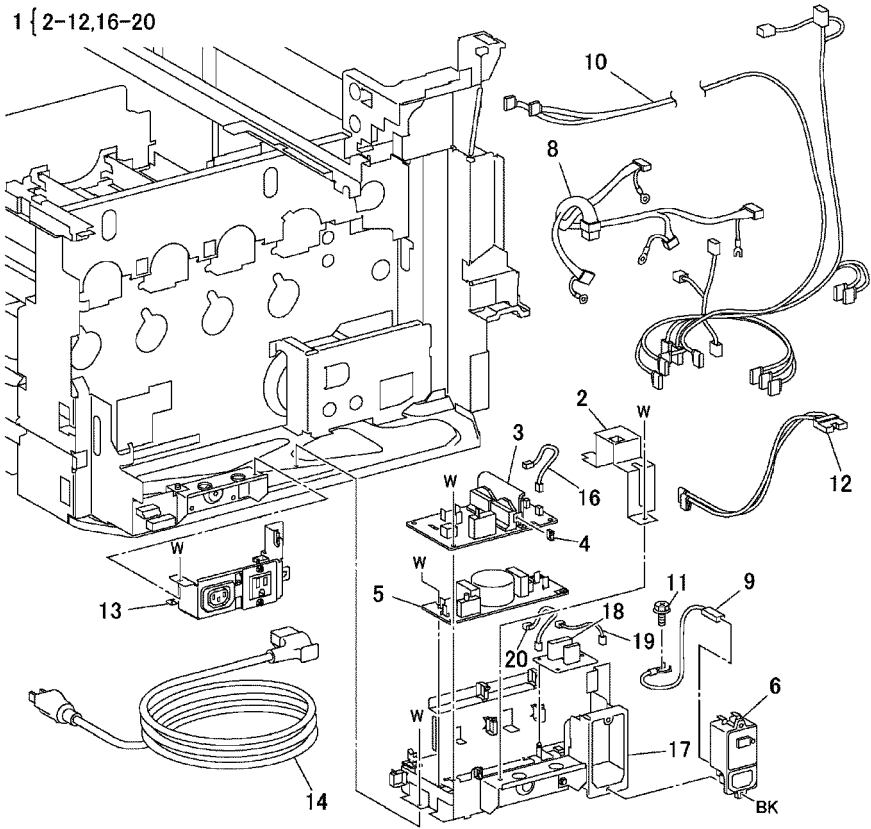
Electrical Components: 1 of 3 PL 9.1

No	Part number	Qty	Part Description and (part name)
1	116-1791-00		HVPS (T1)
2	116-1792-00		HVPS (T3)
4	116-1793-00 116-1150-00		3.3 LVPS (110V) 3.3 LVPS (220V)
5	116-1151-00 116-1152-00		5V LVPS (110V) 5V LVPS (220V)
6	116-1829-00		Interface Engine Control Board
9	116-1153-00 116-1154-00		24V LVPS (110V) 24V LVPS (220V)
11	116-1175-00		LVPS Fan
14	116-1794-00		HVPS (T2)

Part List 9.2 Electrical Components: 2 of 3

PL9.2

1 { 2-12,16-20



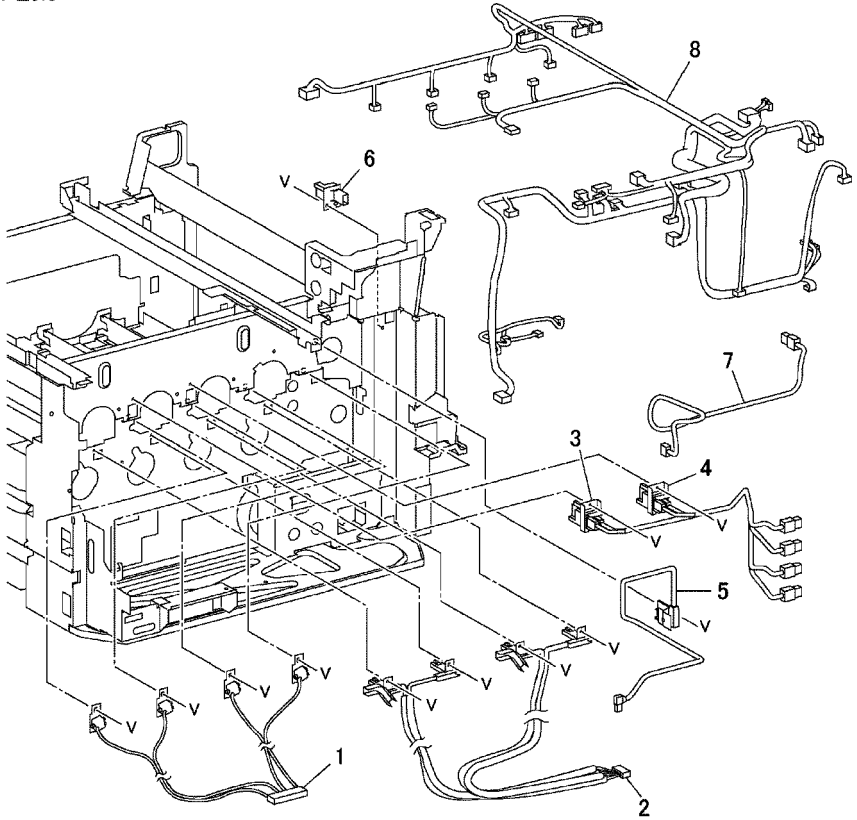
s7750-378

Electrical Components: 2 of 3 PL 9.2

No	Part number	Qty	Part Description and (part name)
1	116-1796-00 116-1797-00		AC Power Chassis Assembly (110V) AC Power Chassis Assembly (220V)
13	116-1801-00		Outlet Panel
14	116-1798-00		Power Cord

Part List 9.3 Electrical Components: 3 of 3

PL9.3



s7750-379

Electrical Components: 3 of 3 PL 9.3

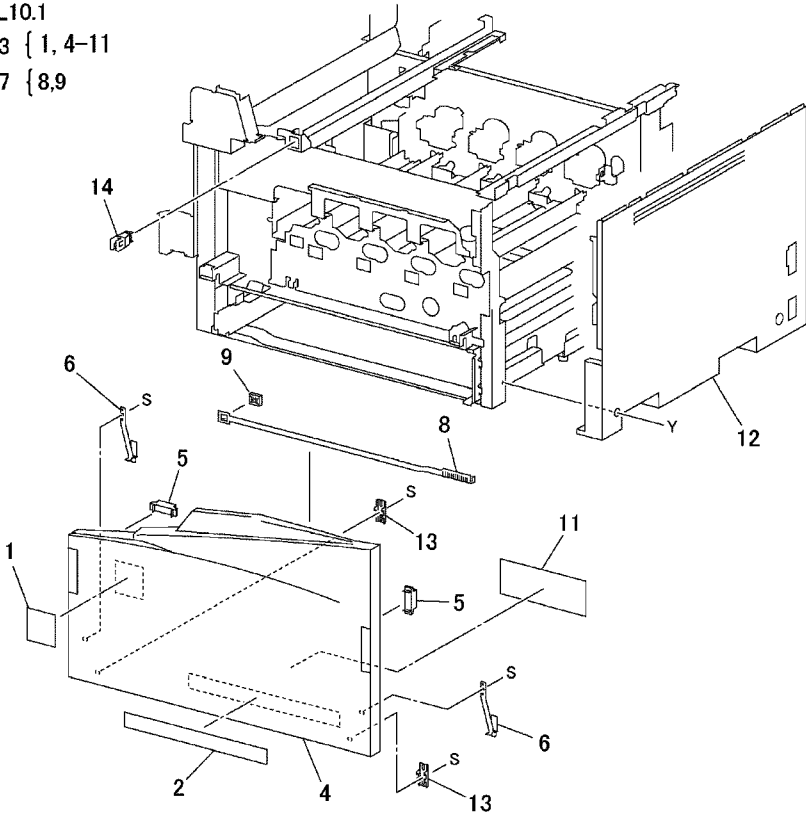
No	Part number	Qty	Part Description and (part name)
1	116-1223-00		Developer Block
2	116-1312-00		Wire Harness
3	116-1307-00		Wire Harness Y, M
4	116-1308-00		Wire Harness C, K
5	116-1913-00		2nd Wire Harness
6	116-1306-00		DTS Connector
7	116-1310-00		DTS Wire Harness
8	116-1799-00		DC Wire Harness

Part List 10.1 Front Cover

PL10.1

3 { 1, 4-11

7 { 8,9



s7750-380

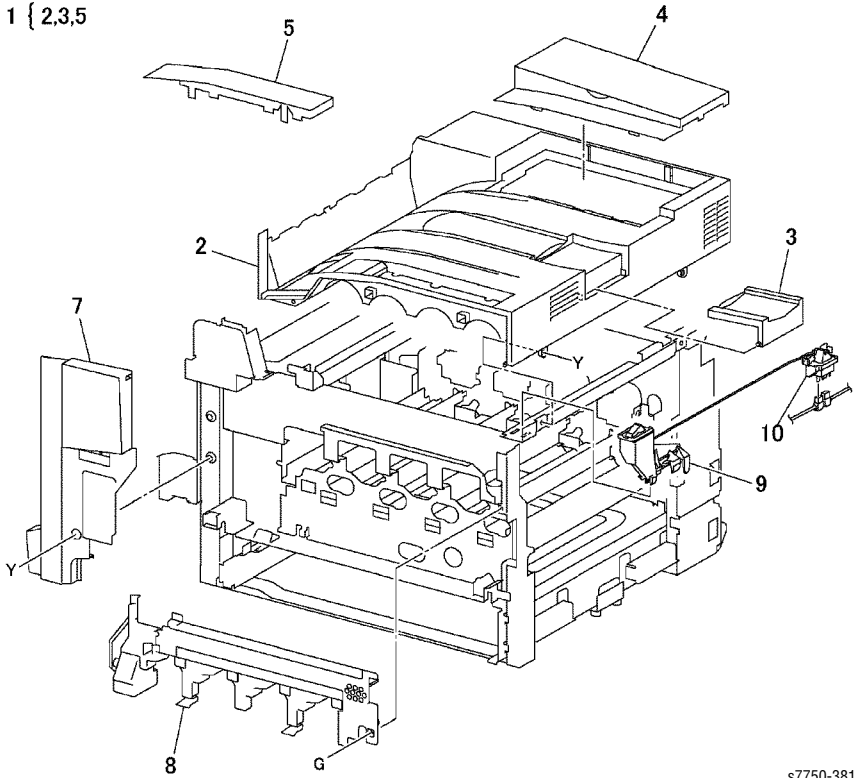
Front Cover PL 10.1

No	Part number	Qty	Part Description and (part name)
3	116-1800-00		Front Cover Assembly (COVER ASSY FRONT MN)
6	116-1187-00		Strap
7	116-1116-00		ROS Window Cleaning Wand (CLEANER ASSY)
9	116-1117-00		ROS Window Cleaning Wand Base (CLEANER ASSY BASE)
12	116-1095-00		Right Hand Cover (COVER ASSY RIGHT MN)

Part List 10.2 Top Cover and Front Panel

PL10.2

1 { 2,3,5



s7750-381

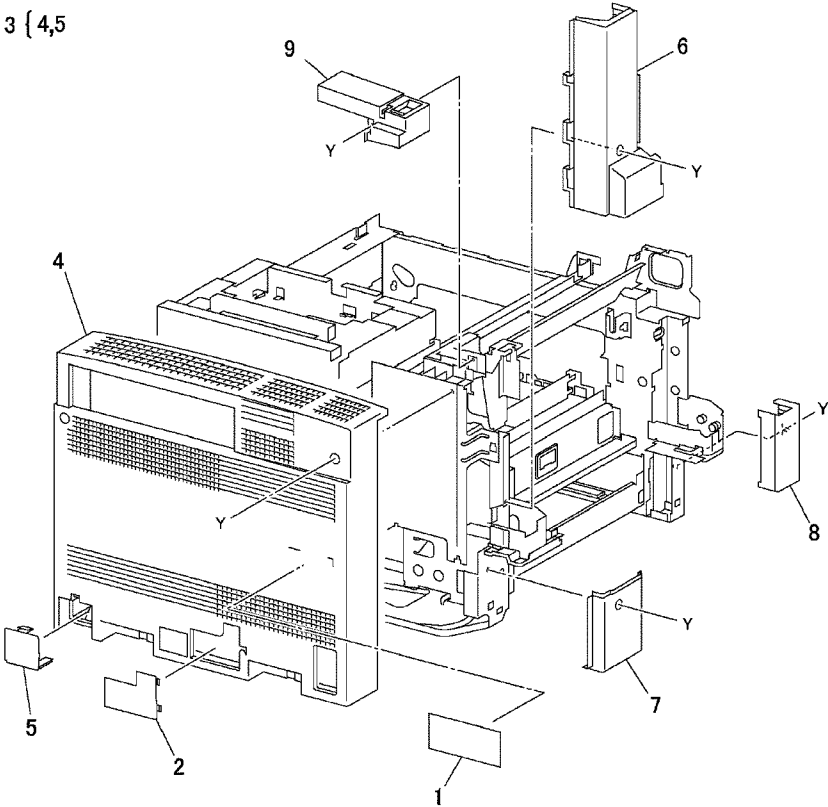
Top Cover and Front Panel PL 10.2

No	Part number	Qty	Part Description and (part name)
1	116-1802-00		Top Cover Assembly (TOP COVER)
5	116-1803-00		Front Panel (CONTROL PANEL)
7	116-1805-00		Front Fuser Cover (COVER AY-F FRONT MN)
9	116-1806-00		Link Assembly (LINK ASSEMBLY)
10	116-1807-00		On/Off Switch (MAIN POWER SWITCH)
11	116-1804-00		Front Panel Wire Harness

Part List 10.3 Rear Cover

PL10.3

3 { 4,5

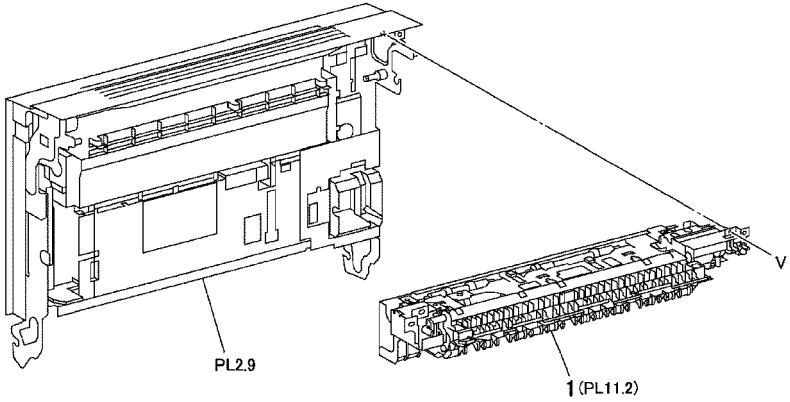


s7750-382

Rear Cover PL 10.3

No	Part number	Qty	Part Description and (part name)
1			Data plate N/S
2			Blind Cover
3	116-1954-00		Rear Cover Assembly (COVER ASSY REAR)
4			Rear Cover {p/o item 3}
5	116-1188-00		Lower Tray Unit Harness Cover (COVER BLIND TM)
6	116-1189-00		Left Hand Rear Middle Cover (COVER-L/H R,MID)
7	116-1191-00		Left Hand Rear Lower Cover (COVER-L/H R,LOW)
8	116-1914-00		Left Hand Front Lower Cover (COVER AY-L/H F, LOW MN)
9	116-1808-00		Top Rear Cover (COVER-TOP, REAR)

Part List 11.1 Inverter Transport



s7750-383

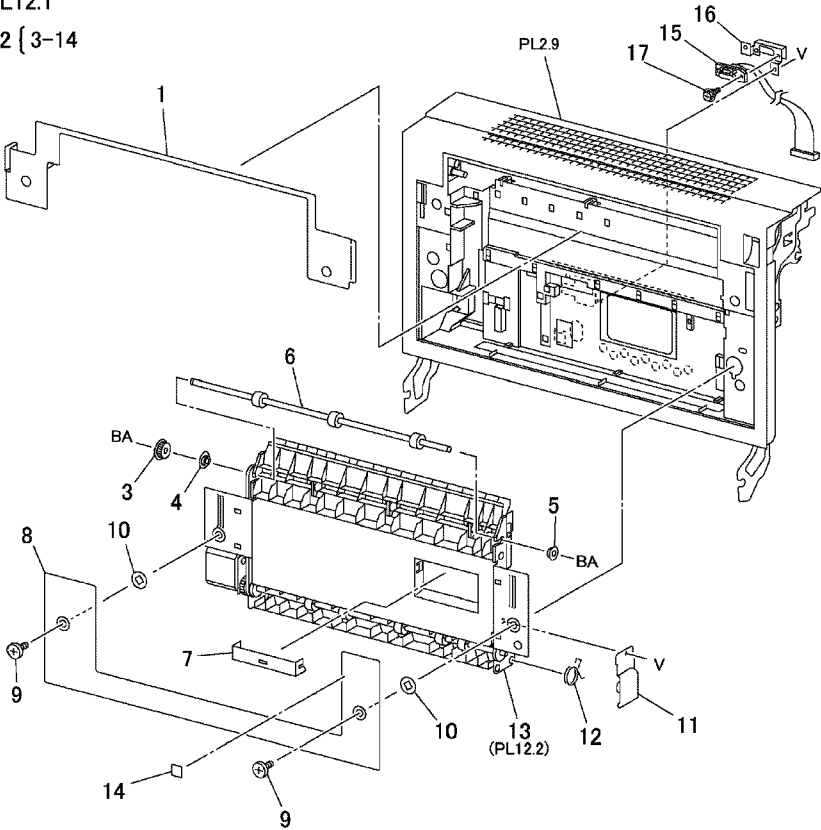
Inverter Transport PL 11.1

No	Part number	Qty	Part Description and (part name)
1	116-1809-00		Inverter Transport Assembly (TRANSPORT ASSY-INV)

Part List 12.1 Duplex Unit Assembly

PL12.1

2 { 3-14

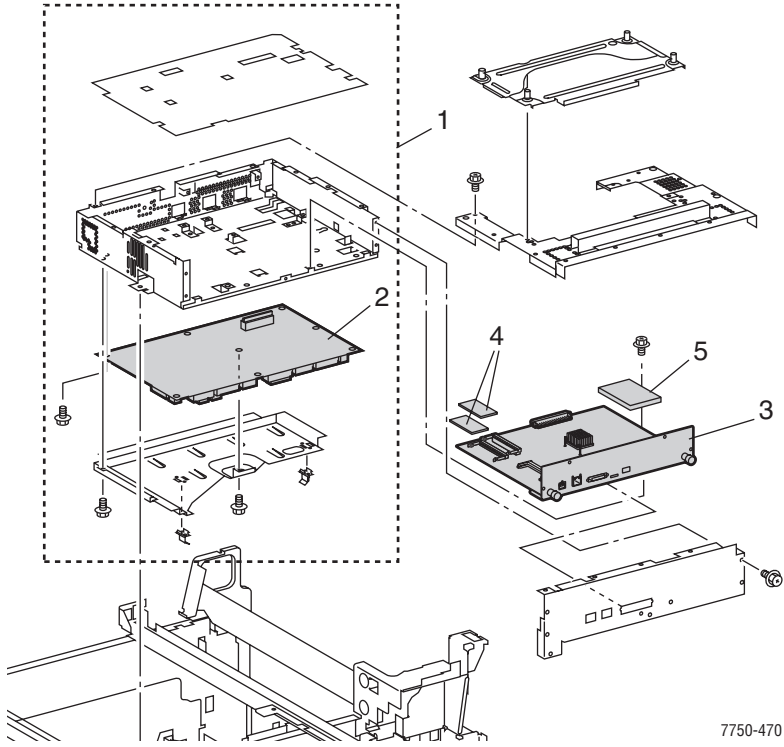


s7750-385

Duplex Unit Assembly PL 12.1

No	Part number	Qty	Part Description and (part name)
2	116-1810-00		Duplex Transport Assembly (TRANSPORT ASSY DUP)

Part List 13.1 Image Processor and Engine Control Boards



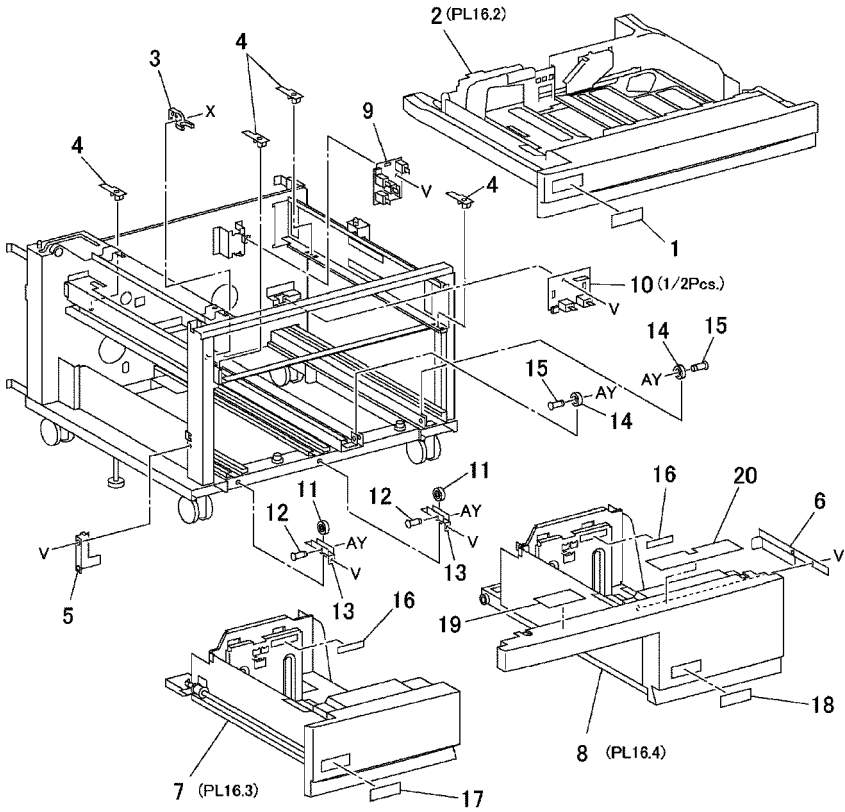
7750-470

Boards PL 13.1

No	Part number	Qty	Part Description and (part name)
1	116-1812-00		Chassis Assembly (w/o Engine Board)
2	116-1811-00		Engine Control Board (PWB MCU)
3	650-4306-00 671-5316-80		Image Processor Board
4	156-4837-00 156-4663-00 156-4857-00		128 MB RAM SODIMM 256 MB RAM SODIMM 512 MB RAM SODIMM
5	650-4311-00		Internal Hard Drive
6	116-1836-00		Not Shown - Electrical Chassis Cooling Fan
7	163-1506-00 163-1507-00		Configuration Chip Base Configuration Chip Network

Part List 16.1 Lower Trays 3/4/5 Assembly

PL16.1

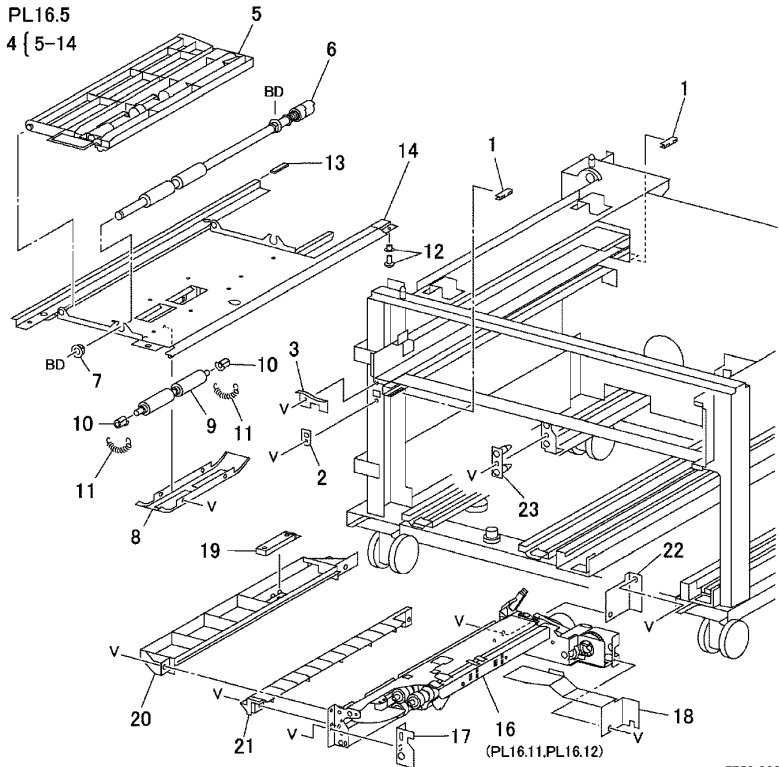


s7750-388

Lower Trays 3/4/5 Assembly PL 16.1

No	Part number	Qty	Part Description and (part name)
2	119-6504-00		Tray 3
7	116-1090-00		Tray 4
8	116-1089-00		Tray 5
9	116-1126-00		Tray 3 Paper Size Switch
10	116-1127-00		Tray 4/5 Paper Size Switch

Part List 16.5 Lower Trays Paper Feeder: 1 of 2



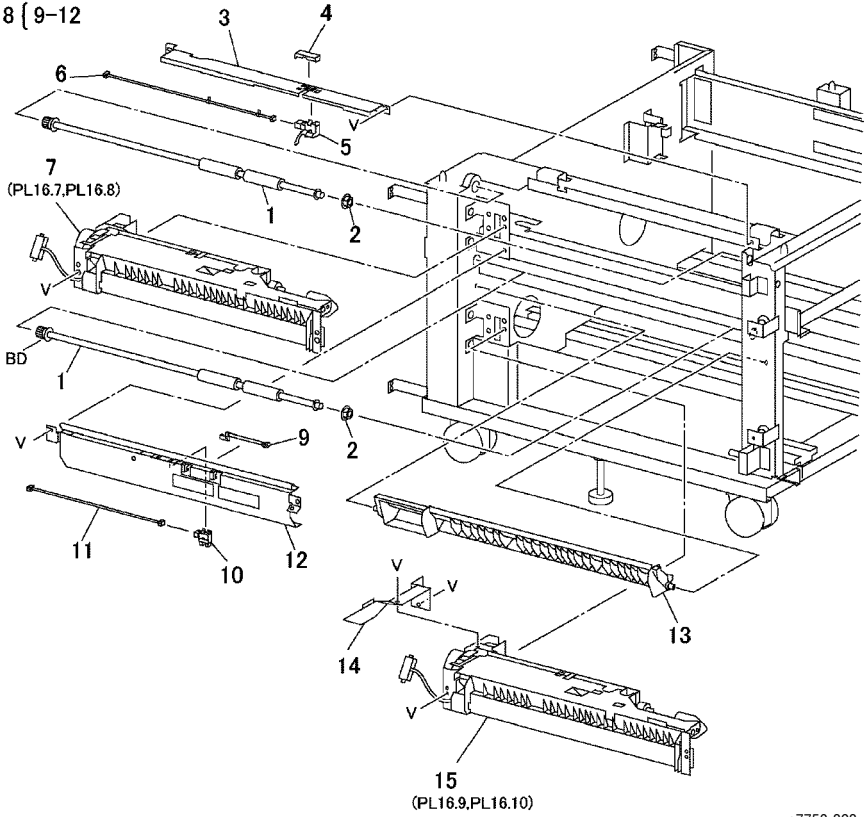
Lower Trays Paper Feeder: 1 of 2 PL 16.5

No	Part number	Qty	Part Description and (part name)
4	116-1838-00		Tray 5 Transport Assembly
16	116-1816-00		Tray 5 Feeder
19	116-1218-00		Tray 5 Feed out Sensor
20	116-1169-00		Upper Chute
21	116-1168-00		Lower Chute

Part List 16.6 Lower Trays Paper Feeder: 2 of 2

PL16.6

8 (9-12)

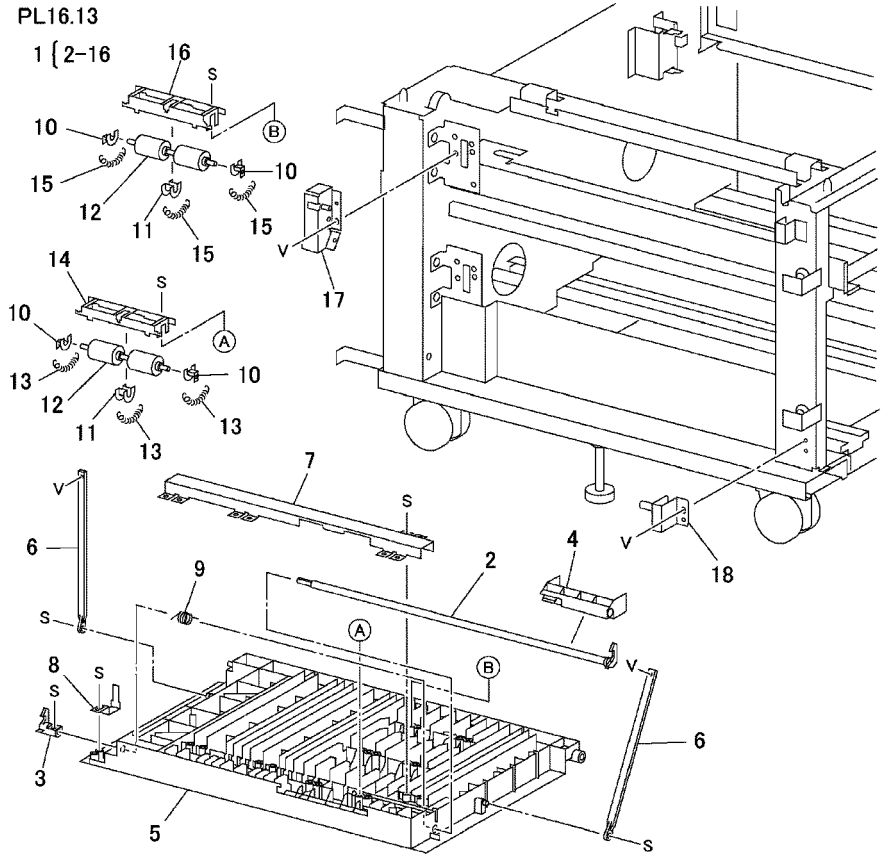


s7750-393

Lower Trays Paper Feeder: 2 of 2 PL 16.6

No	Part number	Qty	Part Description and (part name)
1	116-1815-00		Takeaway Roller
8	116-1173-00		Chute Assembly
12			Chute
13	116-1167-00		Lower Chute

Part List 16.13 Left Cover Assembly (LTD)



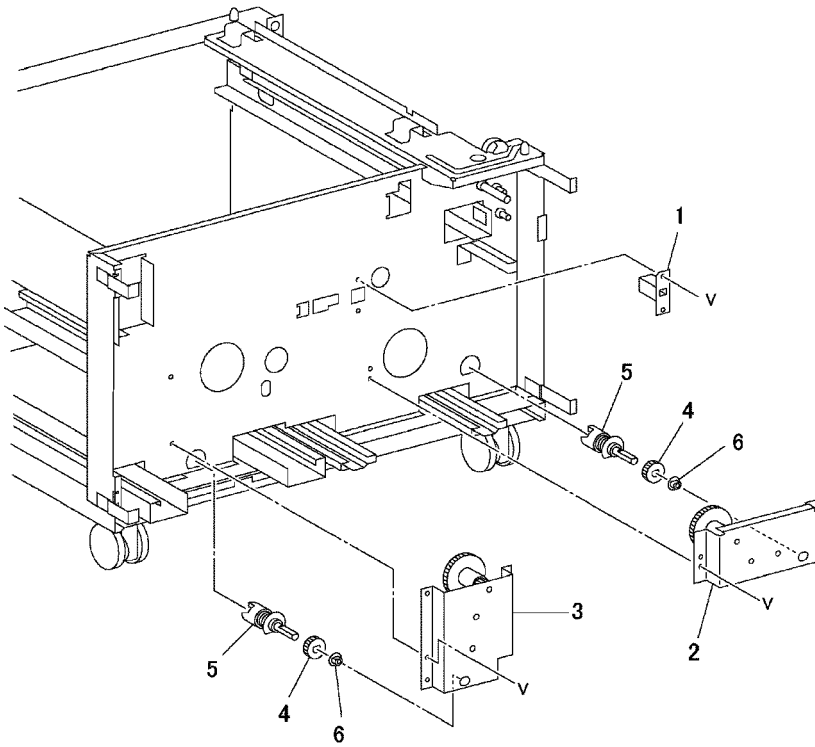
s7750-400

Left Cover Assembly (LTA) PL 16.13

No	Part number	Qty	Part Description and (part name)
1	116-1185-00		Left Cover Assembly

Part List 16.14 Tray 4/5 Lift Gear Assembly

PL16.14



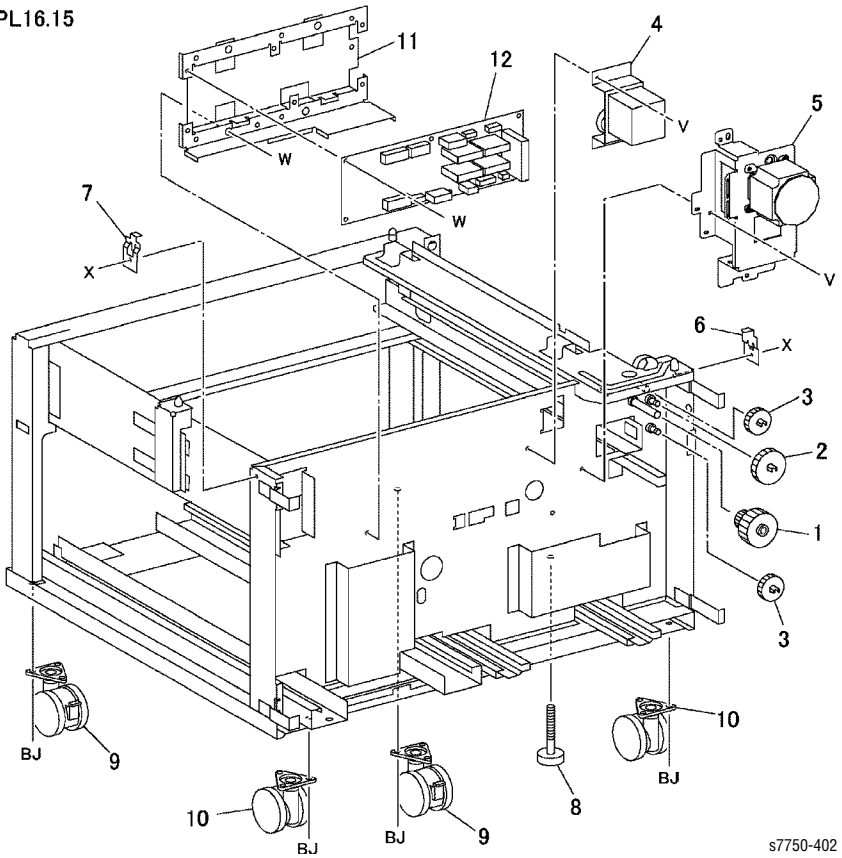
s7750-401

Left Cover Assembly (LTA) PL 16.14

No	Part number	Qty	Part Description and (part name)
2	116-1171-00		Gear Assembly Tray 4
3	116-1170-00		Gear Assembly Tray 5

Part List 16.15 Electrical Components and Caster

PL16.15

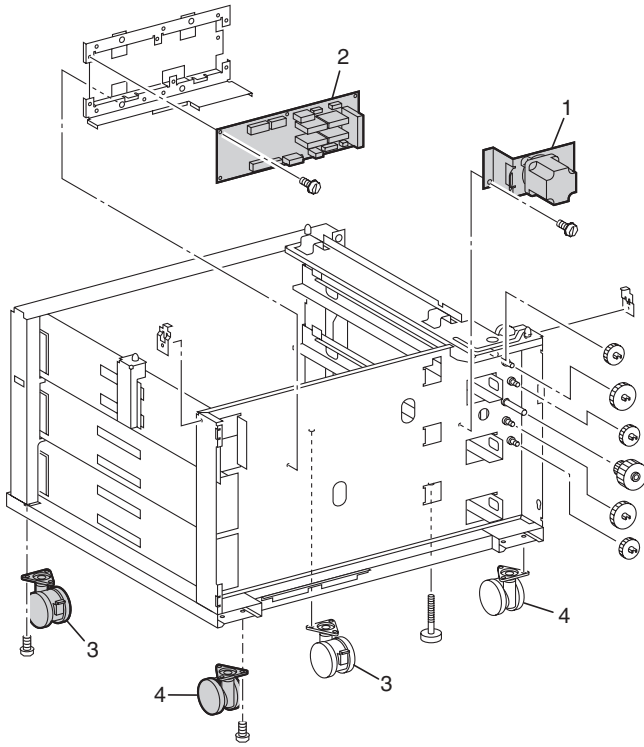


s7750-402

Electrical Components LTA PL 16.15

No	Part number	Qty	Part Description and (part name)
4	116-1099-00		Takeaway Motor 2
5	116-1814-00		Takeaway Motor 1
12	116-1818-00		Tray Module Control Board

Part List 16.16 Lower Tray Deck



7750-472

Lower Tray Deck PL 16.16

No	Part number	Qty	Part Description and (part name)
1	116-1814-00		Tray 3 Module Motor Assembly (MOTOR ASSY-3TM)
2	116-1813-00		LTD Circuit (control) Board (TRAY MODULE PWB)
3	116-1206-00		Caster, Locking (CASTER ASSY-S)
4	116-1221-00		Caster (CASTER ASSY)
5			Paper Select Switch
6	116-1184-00		LTD Module Cover (COVER ASSY LH 3TM) NOT SHOWN

Hardware Kits

Parts	Part number	Qty	Name and description (vendor description)
	116-1912-00		Sensor Kit
	116-1210-00		Sensor Flag Kit
	116-1211-00		Roller Kit
	116-1820-00		Tray 1/MPT Roller Kit
	116-1300-00		Hardware Kit
	065-0630-00	1	Complete Repackaging kit
	065-0629-00	1	Internal repackaging kit

Recommended Service Tools

The following service are recommended as a start for servicing the printer. As additional tools are needed visit the following URL for help: <http://cpid.office.xerox.com/hardwaretools.html>.

Part Number	Description
003-0293-00	Driver, Magnetic 0.25" drive (no bits), 8" shank
003-0335-00	Tip, #1 Philips Bit, 0.25" drive
003-0336-00	Tip, #2 Philips Bit, 0.25" drive
640600 Mag 27020	Tip, 2.5 mm Hex Bit, 0.25" drive
600T02123	Hex Nutdriver, 5.5 mm (magnetic)

